

SHE5XWLS4xFx



Wireless flat switches



Benefits

- **No wires.** Wireless switch for any commercial or residential application.
- **Fast and easy installation.** Can be placed anywhere, no need for drilling.
- **Improved energy saving.** Stand-by mode to reduce battery consumption.
- **Small impact on the wall.** Flat design.
- **Battery level indication.** Red and blue LEDs.
- **Two products in one.** Temperature sensor is integrated, thus providing climate control functions.

Description

The SHE5XWLS4xxx is a wireless light switch with 4 buttons and 4 LED outputs.

It can be mounted with the Elko and Gira frames. This light switch is part of the smart Dupline concept for building automation applications and can be used to control lights, roller blinds and all other functions supported by the smart Dupline controller.

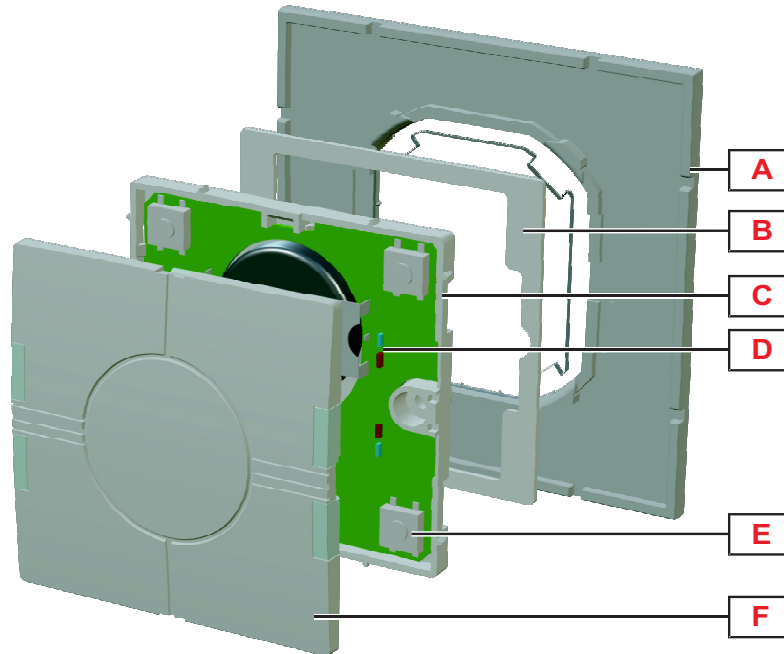
It is fully programmable via the Sx tool and must always be coupled to a SH2WBU230N module.

Applications

Home and building automation.

Main features

- Wireless transmission based on IEEE 802.15.4, at 2.4GHz.
- Transmission range: 100 m free air.
- Temperature measurement: -10° to +50°C.
- It can be used to control any function in the smart Dupline system.
- Up to 250 SHE5XWLS4xxx can be connected to one SH2WBU230N.

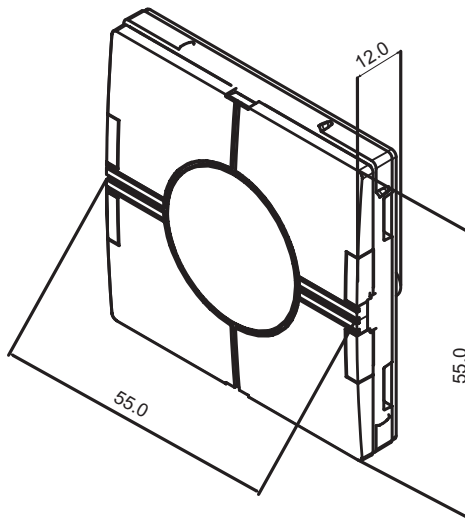

 Structure


Element	Component	Function
A	Back cover	To be used on glass walls to have a nice aesthetic on the back
B	Spacer	To be used to place the switch board at a proper high
C	Switch board	Electronic keypad
D	Red and blue LEDs	Red LED: if the battery level is good, the red LED is OFF. It flashes when the relevant button is pressed. Blue LED: if the battery level is low, the blue LED is off. It flashes if the battery level is good when the relevant push-button is pressed.
E	Push buttons	Programmable push buttons, short and long activation
F	Front cover	Black and white front covers are available

Features

General




Material	Back part: plastic Push button covers: plastic, white or black
Dimensions	55 x 55 x 12 mm (L x H x D)
Weight	50 g
Protection grade	IP20
Pollution degree	3 (IEC 60664)



Environmental

Operating temperature	-10° to +50°C (+14° to +122°F)
Storage temperature	-20° to +70°C (-4° to +158°F)
Humidity (non-condensing)	20 to 90% RH

Compatibility and conformity

Electromagnetic compatibility (EMC) - immunity	EN 61000-6-2
Electromagnetic compatibility (EMC) - emissions	EN 61000-6-3
Directives	2014/53/EU (RED)
Approvals	   FCC ID= SNJLS4 ISED HVIN: 1B, IC: 7118D-LS4 (SHE5XWLS4WFT only)

▶ Power Supply

Power Supply	By battery, lithium button 2450 3V
---------------------	------------------------------------

▶ WiDup specification

Bus	Wireless Dupline
Frequency	IEEE 802.15.4, @ 2.4 Ghz for Europe, America and China
Diagnostics	<ol style="list-style-type: none"> 1. Field strength 2. Network activities 3. Devices' presence
Network topology	Star with max three wireless repeaters
Antenna	Internal
Transmission power	According to IEEE 802.15.4
Sensitivity	According to IEEE 802.15.4
Number of slave nodes	Up to 250
Transmission range	<100 m in the open air
Addressing	The address assignment is automatic: the controller recognises the module through the SIN (Specific Identification Number) that has to be inserted in the Sx tool.

References

Further reading

Information	Document	Where to find it
Sx2WEB installation guide	System manual	www.productselection.net/MANUALS/UK/system_manual.pdf
Sx2WEB software manual	Sx tool manual	www.productselection.net/MANUALS/UK/sx_tool_manual.pdf
Sx2WEB wireless installation manual	Wireless manual	http://www.productselection.net/MANUALS/UK/wireless_manual.pdf

Order code



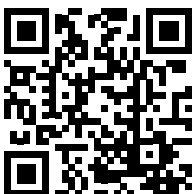
SHE5XWLS4 F

Complete the code entering the corresponding option instead of

Code	Option	Description
SH	-	Smart Dupline
E	-	Eunica
5X	-	Housing 55 x 55 mm
W	-	Wireless
LS4	-	Switch number
<input type="checkbox"/>	W	White
	B	Black
F	-	Flat
<input type="checkbox"/>	-	Without temperature reading
	T	With temperature reading

CARLO GAVAZZI compatible components

Purpose	Component name/code	Notes
Controller	Sx2WEB24	
Bus generator	SH2WBU230N	



COPYRIGHT ©2015
Content subject to change. Download the PDF: www.productselection.net